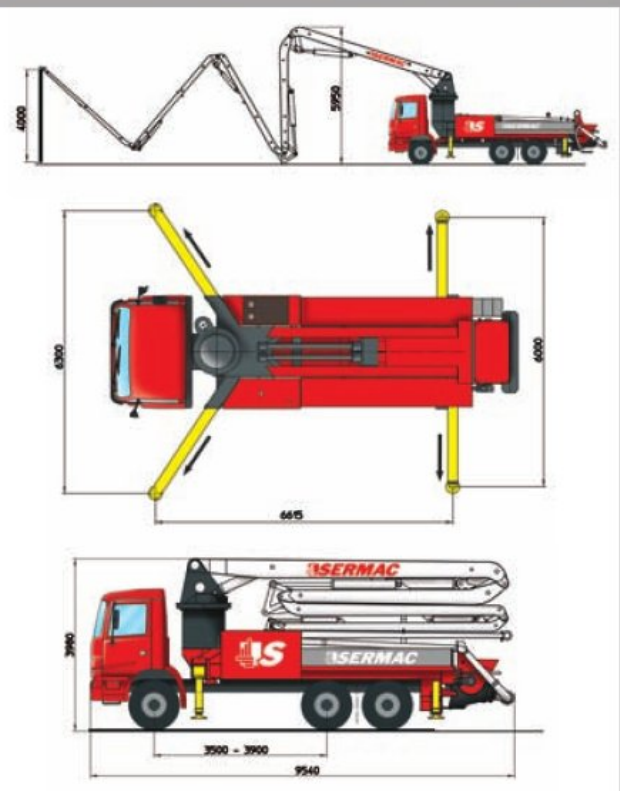
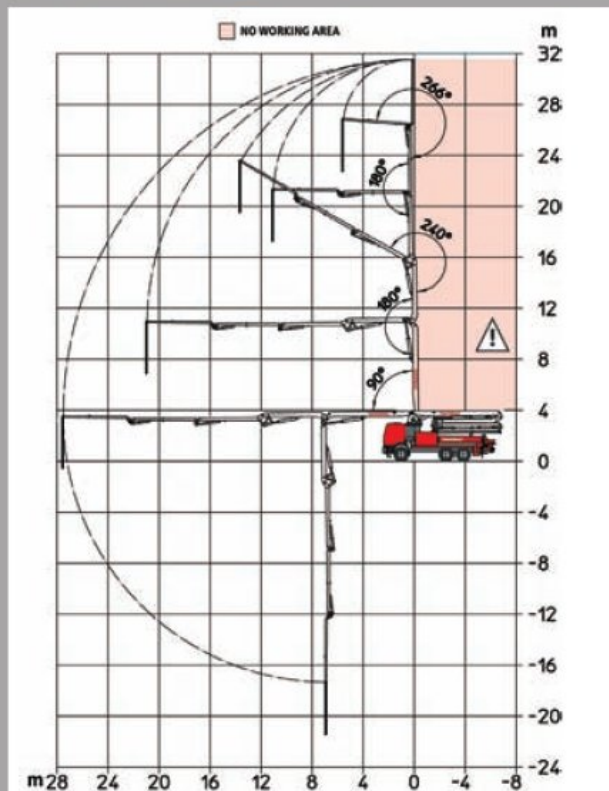


# ZENITH 5Z32



PUMPING UNIT - specifications			
	SCL130A	SCL150AHP	SCL185A
TH. CONCRETE OUTPUT (MAX)* ROD SIDE	130 m <sup>3</sup> /h (170cy/h)	149 m <sup>3</sup> /h (195 cy/h)	184 m <sup>3</sup> /h (241 cy/h)
CONCRETE PRESSURE (MAX)* ROD SIDE	61 bar 884 p.s.i.	76 bar 1102 p.s.i.	61 bar 884 p.s.i.
NUMBER OF STROKES (MAX)* ROD SIDE	27 min	30 min	37 min
PISTON DIAMETER	230 mm	230 mm	230 mm
STROKE LENGTH	2000 mm	2000 mm	2000 mm
POWERED BY	PTO	PTO	PTO
CONCRETE HOPPER	600 l	600 l	600 l

BOOM - specifications	
	5Z32
NUMBER OF SECTIONS	5
FOLDING TYPE	Z
MAX VERTICAL REACH	31,6 m
MAX HORIZONTAL REACH	27,6 m
MAX DOWNWARD REACH	-21,5 m
UNFOLDING HEIGHT	5950 mm
ROTATION	370°
SECTION ARTICULATION	90° - 180° - 240° 180° - 266°
CONCRETE PIPELINE	Ø 125 mm

\*Cannot be reach simultaneously

Also available different models: please, don't exitate to contact our offices